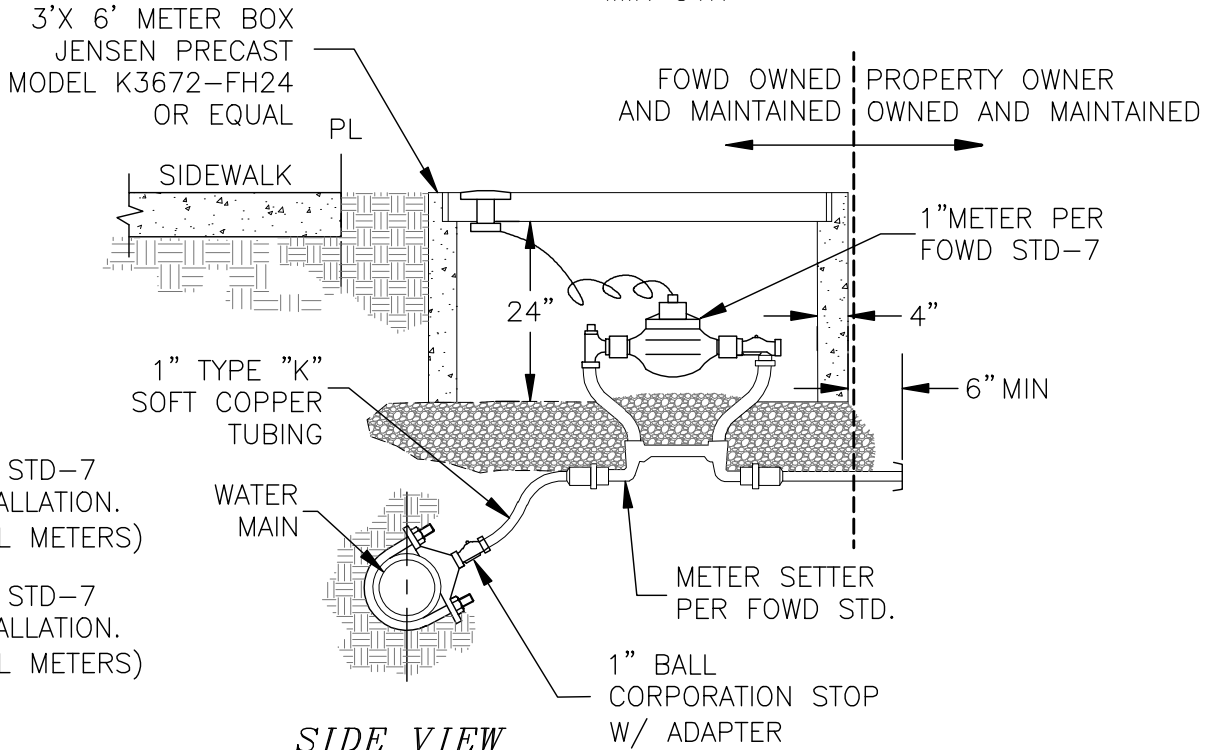
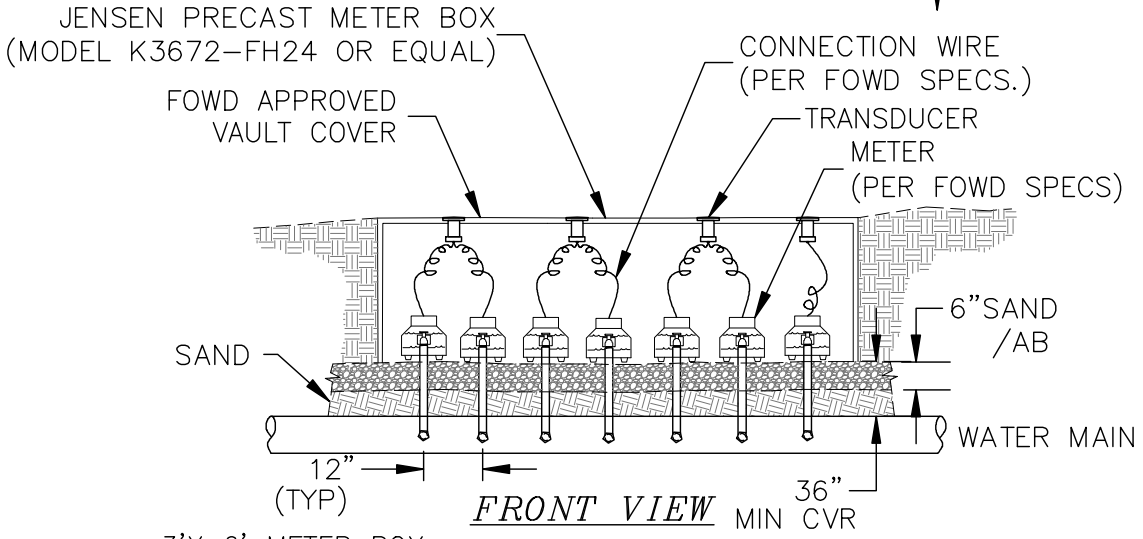
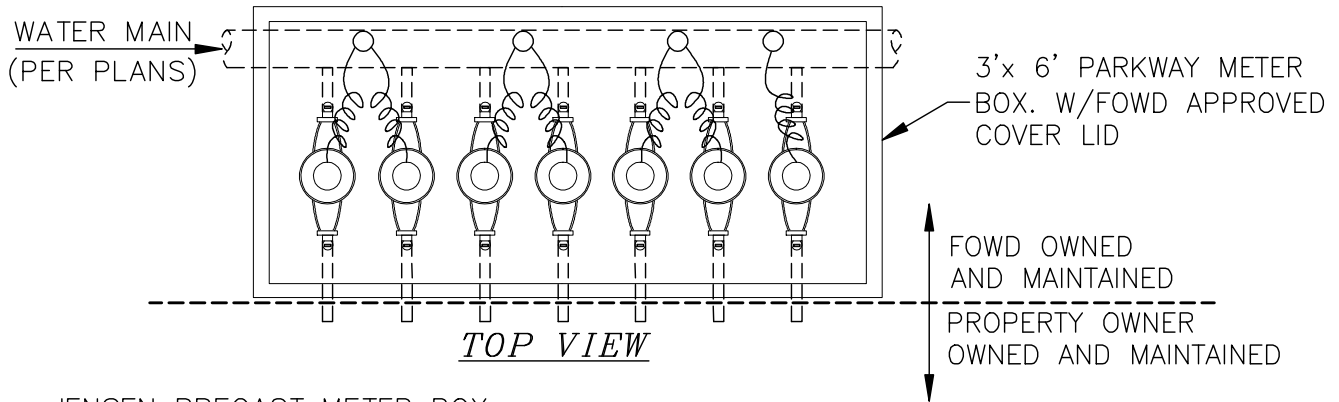


J:\AUTOCAD FILES\AUTOCAD MASTER DWGS\WORKING DWGS\Standard SPEC DWGS\Std-Dwg_FOWD\Dwgs\Std-22-ManifoldMeter.dwg, 04/14/08 12:11:33pm, time



NOTE:
 REFER TO FOWD STD-7 FOR METER INSTALLATION. (TYPICAL FOR ALL METERS)
 REFER TO FOWD STD-7 FOR METER INSTALLATION. (TYPICAL FOR ALL METERS)

Fair Oaks Water District
 10317 FAIR OAKS BLVD, FAIR OAKS, CA 95628-7187
 OFFICE (916) 967-5723, FAX (916) 967-0153
 WEBSITE: WWW.FOWD.COM



MULTIPLE METER MANIFOLD FOR 1" METERS

Standard Specifications

Standard Drawing 22

APPROVED: M. NISENBOYM
 DRAWN BY: T. EGGAR
 DRAWING: **STD-22**
 REVISED: APR-2008
 SCALE: N/A